

SENEBOGEN

PRELIMINARY



119 kW



21.4 t



13 m



MAX CAB

718E

Energy

TIER IVf emission standards

718E Technical data, equipment

MACHINE TYPE

Model (type) **718**

ENGINE

Power **119 kW / 160 hp at 2200 rpm**

Model **Cummins QSB 4.5 TIER IIIa/IVf**
Direct injection, turbo-charged, charge-air cooler, reduced emissions, EcoMode, idle automation

Cooling Water-cooled

Air filter Dry air filter with cyclonic pre-filter, safety element, contamination indicator

Fuel tank **330 l**

DEF tank **30 l**

Electr. system **24 V**

Batteries 2 x cold-start high-performance batteries

Options

- Engine block heater
- Electric fuel pump
- Jump-start terminals

UPPERCARRIAGE

Design Torsion-resistant upper frame with end shields all the way from boom linkage to counterweight for optimized force transmission, precision-crafted, steel bushings for boom bearings, lockable storage compartment, outstanding design, very low noise emissions

Central lubrication Automatic central lubrication for equipment and slewing gear raceway

Electrical system Central electrical distributor, battery disconnect switch

Safety Right and rearview cameras, emergency control of main functions

Options

- Slewing gear brake via foot pedal
- Peripheral uppercarriage railing for additional safety
- LED lighting package
- Fire extinguisher
- Special paint finish
- Electric heater for hydraulic tank
- Low temperature package
- Platform with railing next to cab



HYDRAULIC SYSTEM

Load-sensing/LUDV hydraulic system for work and travel functions

Pump type Swashplate-type variable-displacement piston pump, load pressure-independent flow distribution for simultaneous, independent control of work functions

Pump control Zero-stroke control, on-demand flow control – the pumps only pump as much oil as will actually be used, pressure purging, load limit sensing control

Supplemental hydraulic system For independently driving different attachments

Operating pressure **max. 350 bar**

Filtration High-performance filtration with long change interval

Hydraulic tank **350 l**

Control system Proportional, precision hydraulic actuation of work movements, 2 hydraulic servo joysticks for the work functions, additional functions via switches and foot pedals

Safety All hydraulic circuits secured with safety valves, hydraulic accumulator for emergency lowering of equipment and cab in the case of engine failure, pipe-fracture safety valves for stick cylinders and hoist cylinders

Options

- SENNEBOGEN HydroClean 3 µm hydraulic microfilter system
- Bio-oil – environmentally friendly
- ToolControl for programming the pressure/rate for up to 10 tools



SLEWING DRIVE

Gearbox Planetary gearbox with axial piston motor and integrated brake valves

Parking brake Spring-loaded, hydraulically vented safety multi-disk brake

Slewing ring Oversized slewing ring

Slewing speed 0-8 rpm, variable. Hydraulic brake valves integrated in motor ensure wear-free braking.

718E Technical data, equipment

CAB **MAX** CAB

Cab type	Hydraulically elevating cab E270
Cab equipment	Sliding door, excellent ergonomics, automatic climate control, heated, air-suspension comfort seat, fresh/circulating air filter, joystick control, 12 V/24 V connections, SENCON
Options	<ul style="list-style-type: none"> ■ Tilttable cab ■ Auxiliary heating system with timer ■ Activated carbon filter in cab for circulating air ■ Steering wheel with adjustable steering column ■ Sliding window in operator door ■ Armored-glass windshield ■ Armored-glass sunroof ■ Polycarbonate safety side and rear panels ■ Windshield wiper with washer for bottom windshield / glass roof panel ■ Rolling shade for roof window and windshield ■ Protective roof grating ■ FOPS protective roof grating ■ Protective front grating ■ Radio kit/radio and CD with speakers

ATTACHMENTS

Design	Sealed and soiling-protected box design with oversized bearing points for long service life. Oversized bearing points with low-maintenance, sealed special bushings, precision-crafted
Cylinders	Special hydraulic cylinder with hydraulic end position damping, optimized kinematics for high lifting power. The material handling attachment is specifically designed for high-performance applications.
Central lubrication	Automatic central lubrication system

UNDERCARRIAGE

Design	Strong mobile undercarriage with 4-point outrigger or combination of stabilizer blade and outrigger (option), hydraulically locking pendulum steering axle. Pendulum axle cylinder with pipe-fracture safety valves, Individual outrigger actuation
Drive	All-wheel drive powered by a variable-displacement hydraulic motor with direct-mounted, automatically actuated brake valve and 2-stage power shift transmission. Strong planetary axles with integrated steering cylinder, 2-circuit multi-disk service brake.
Parking brake	Spring-loaded multi-disk brake
Tires	600/50 - 22.5 single pneumatic tires
Speed	Stage I: 0-5.5 km/h ; Stage II: 0-20 km/h
Options	<ul style="list-style-type: none"> ■ Protection for the travel drive ■ Towing pintle

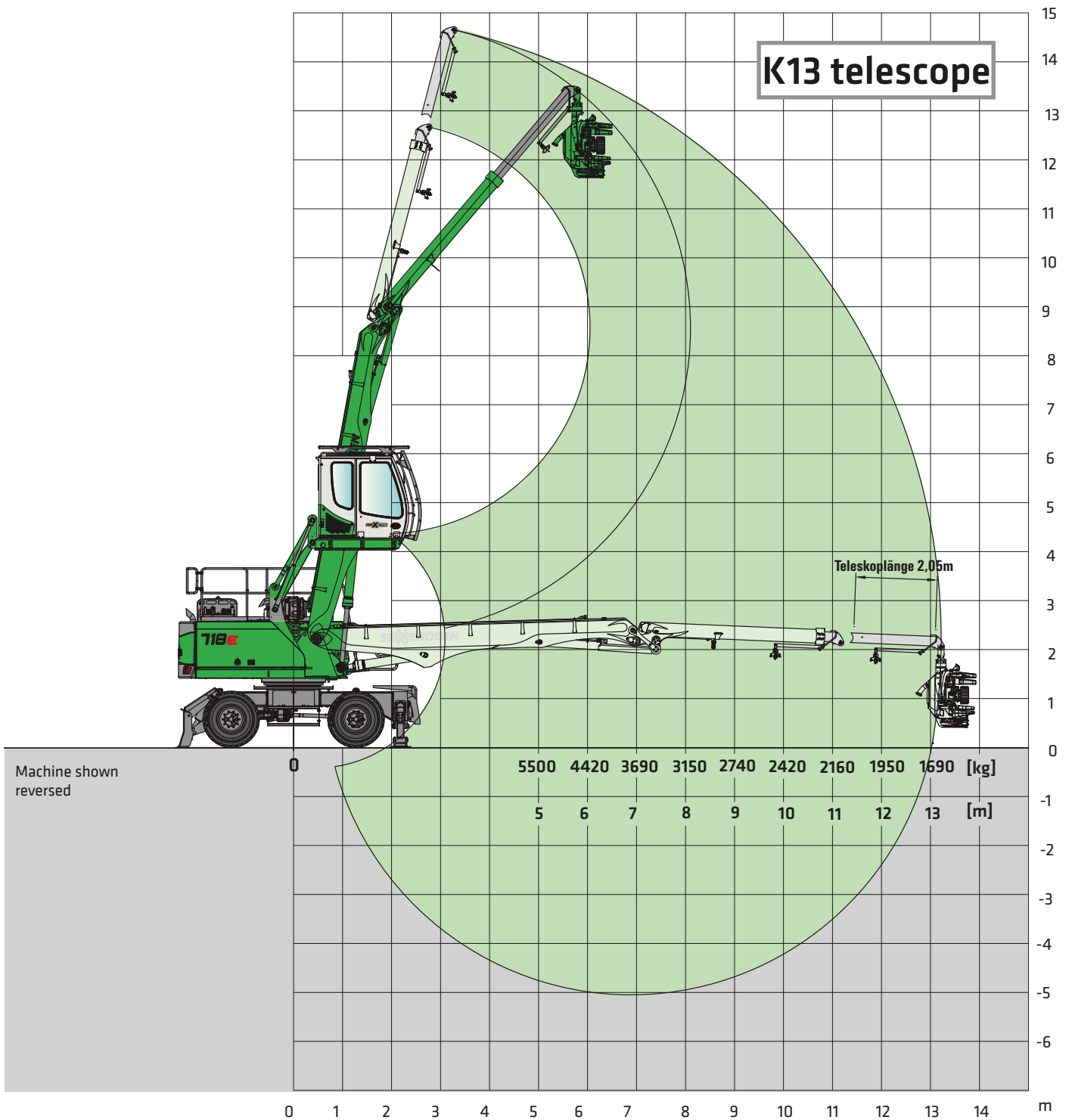
OPERATING WEIGHT

Mass	718 M with 2-point outrigger and stabilizer blade, equipped with telescopic stick K13T approx. 21,400 kg
Notice	Operating weight varies by model and equipment.



718E Load ratings

M

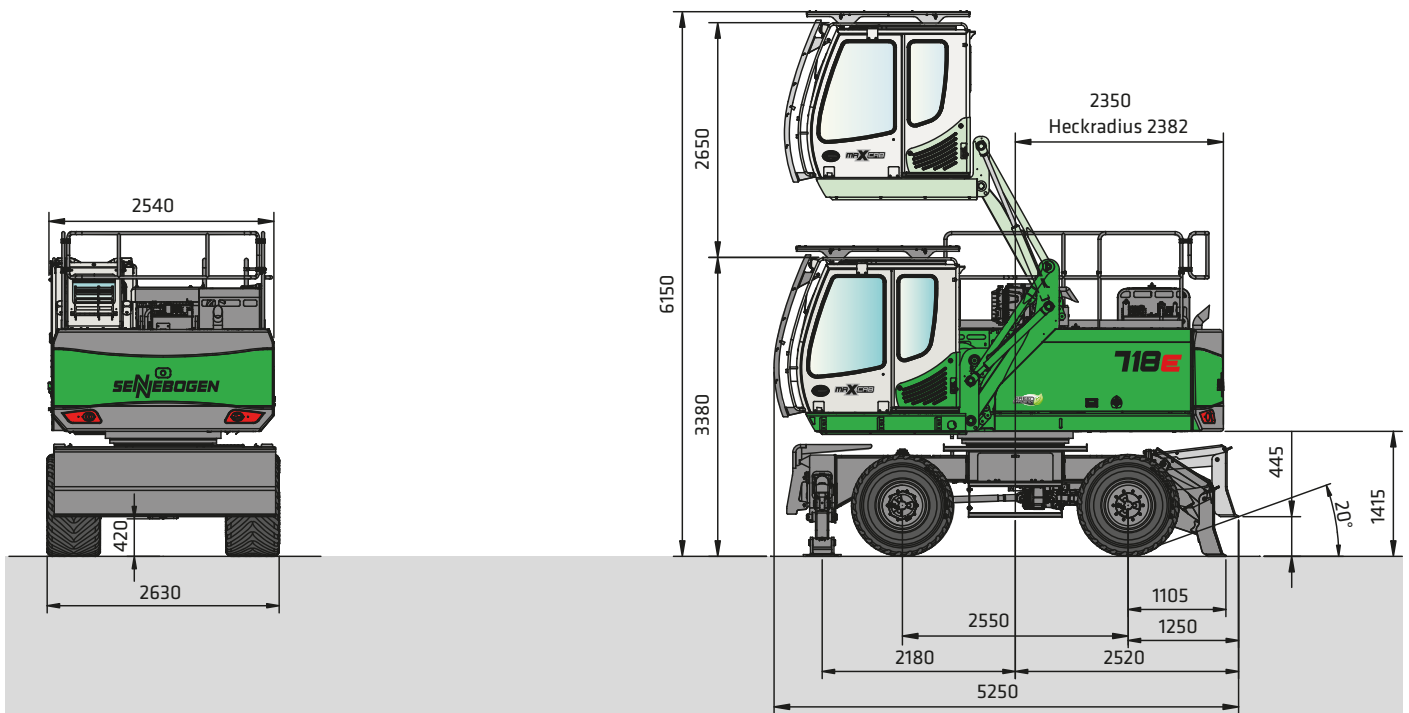


Undercarriage	MP21E	Compact boom Dipper stick	6.5 m 4.2 m + 2.05 tele	Cab	Maxcab E270, hydraulically elevating
----------------------	--------------	--------------------------------------	------------------------------------	------------	-------------------------------------------------

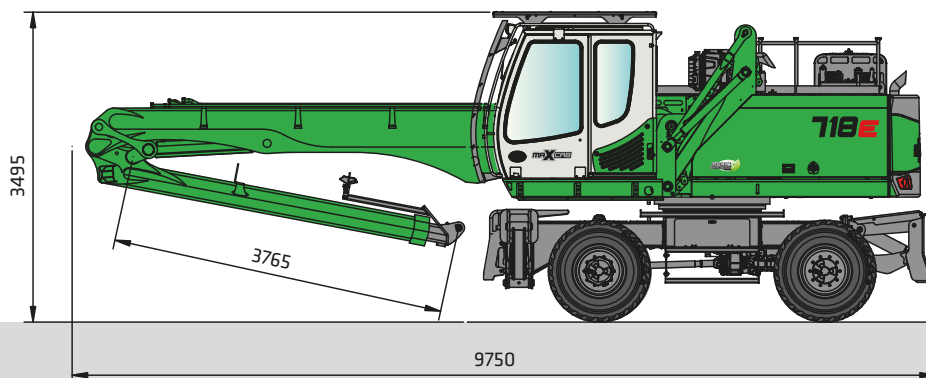
All load ratings are in kilograms (kg) and apply at the end of the stick, without attachment, on solid, level ground. The specified values are 75% of the static tipping load or 87% of the hydraulic lifting force in accordance with ISO 10567. In accordance with EU standard EN 474/5, material handlers used for hoisting must be equipped with pipe fracture safety devices on the hoist cylinders and an overload warning device. Load ratings apply to a machine with outrigger and for 360° slewing.

718E Transport dimensions

M



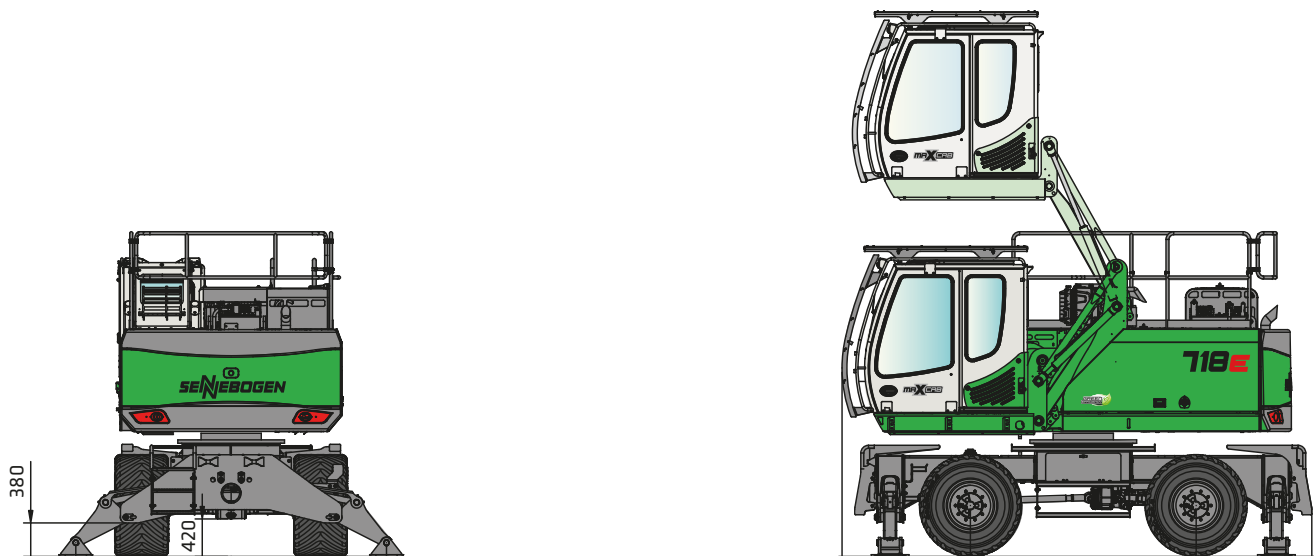
718 M with MP21E undercarriage with 2-point outrigger and stabilizer blade and type E270 hydraulically elevating cab



718 M with 6.5 m K13 compact boom and 4.2 m dipper stick + 2.05 m telescope

718E Transport dimensions

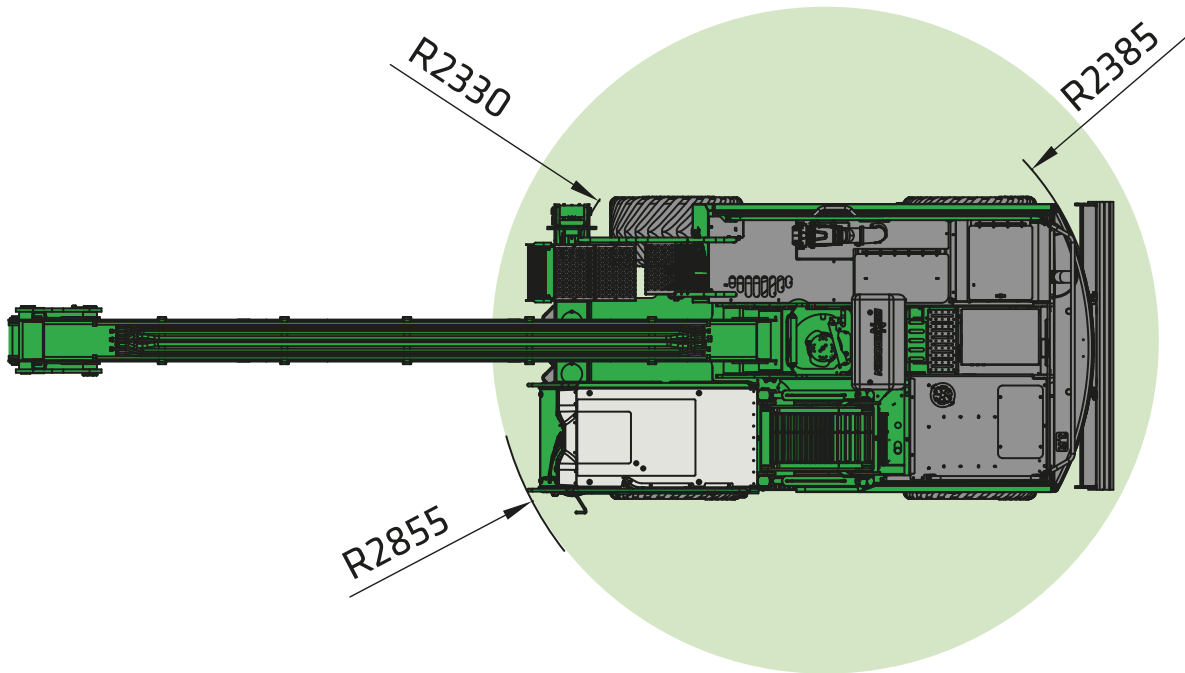
M



718 M with MP21E undercarriage with 4-point outrigger and and type E270 hydraulically elevating cab

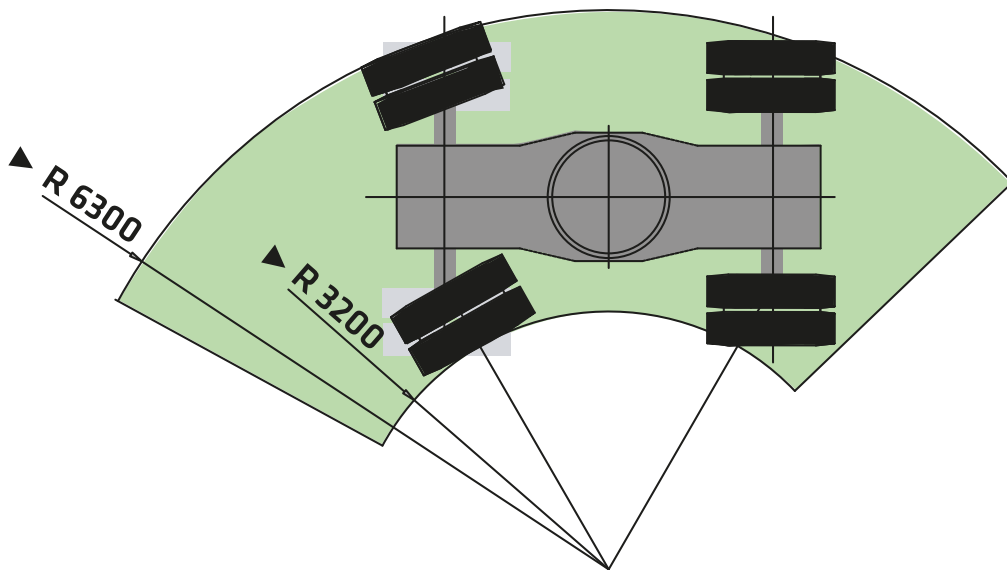
718E Dimensions

M



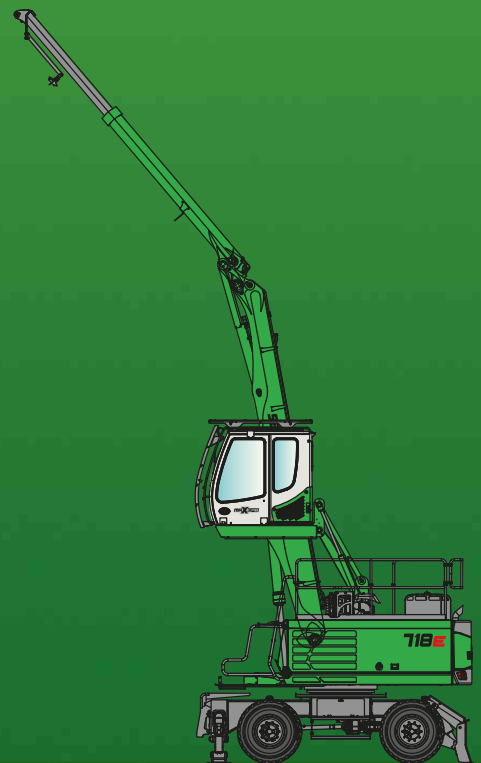
718 M slewing radius

The most compact dimensions for more storage space, thus less traffic area! Compact uppercarriage dimensions for use in tight spaces. Space-saving, optimum maneuverability and safety!



718 M turning radius

718E



This catalog describes machine models, scopes of equipment of individual models, and configuration options (standard equipment and optional equipment) of the machines supplied by SENNEBOGEN Maschinenfabrik. Machine illustrations can contain optional equipment and supplemental equipment. Actual equipment may vary depending on the country to which the machines are delivered, especially in regard to standard and optional equipment.

All product designations used may be trademarks of SENNEBOGEN Maschinenfabrik GmbH or other supplying companies, and any use by third parties for their own purposes may violate the rights of the owners.

Please contact your local SENNEBOGEN sales partner for information concerning the equipment variants offered. Requested performance characteristics are only binding if they are expressly stipulated upon conclusion of the contract. Delivery options and technical features are subject to change. Errors and omissions excepted. Equipment is subject to change, and rights of advancement are reserved.

© SENNEBOGEN Maschinenfabrik GmbH, Straubing/Germany. Reproduction in whole or in part only with written consent of SENNEBOGEN Maschinenfabrik GmbH, Straubing, Germany.

SENNEBOGEN

**SENNEBOGEN
Maschinenfabrik GmbH**

Sennebogenstraße 10
94315 Straubing, Germany

Tel. +49 9421 540-144/146
Fax +49 9421 43 882
marketing@sennebogen.de

Order no. / Item no. 195281
718M-E-041615

GO FOR GREEN

 www.sennebogen.com